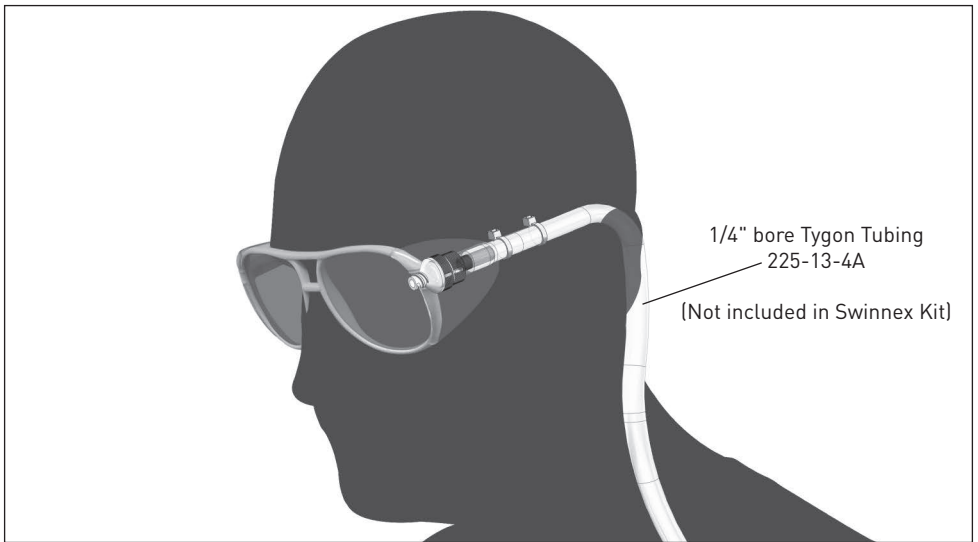
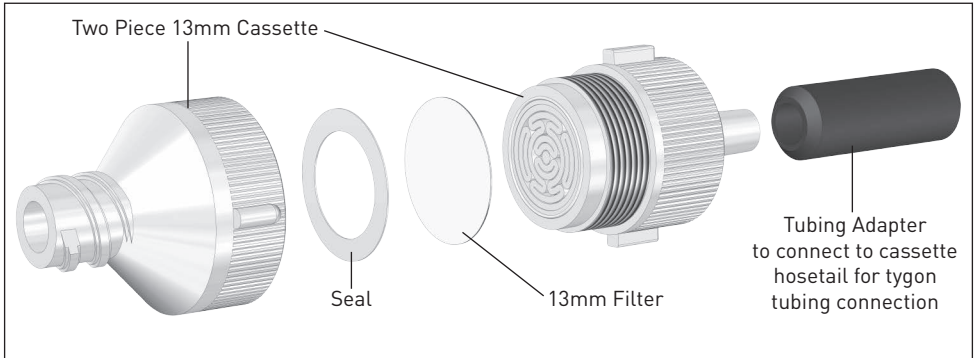


**Your kit contains the following :**

Description	Quantity
Swinnex 13mm cassette	10
Tubing adaptor	10
13 mm 5 micron MCE filters	100

Filter pack re-order part number - 225-8050 (Box of 100).



**SKC Limited**, 11 Sunrise Park, Higher Shaftesbury Road, Blandford Forum, Dorset, DT11 8ST, **United Kingdom**

Phone: +44 (0) 1258 480188 Email: info@skcltd.com Web: www.skcltd.com



**Air Sampling Solutions & Expertise**