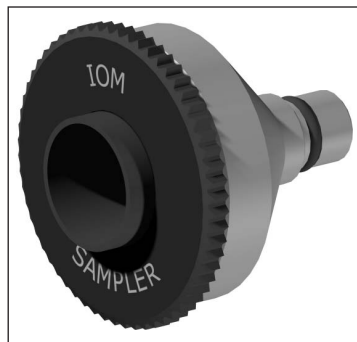




When using the Haz-Dust monitor for inhalable sampling a suitable entry to the sensor head must be used. The SKC adapted I.O.M. is designed for simple push-in fitting to the Haz-dust sensor head.

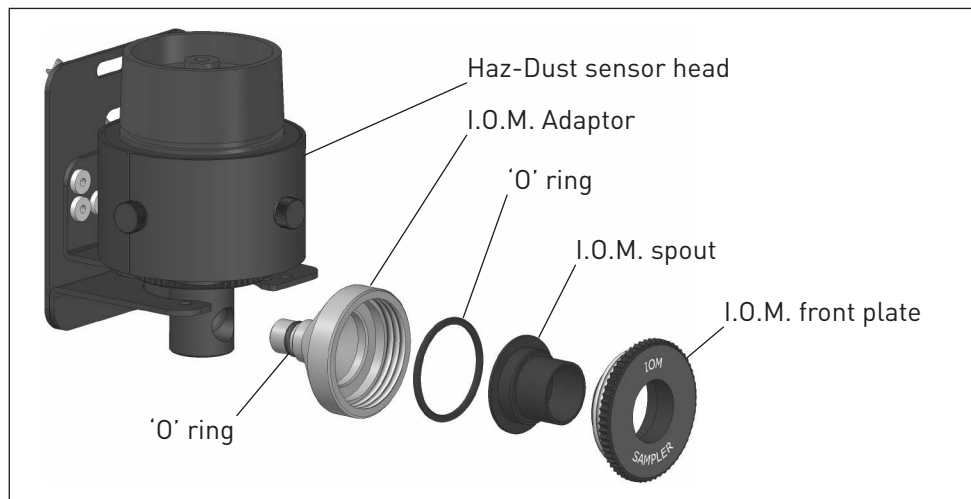
The adapted I.O.M. comprises an aluminium adaptor with integral 'O' ring to seal to the Haz-Dust sensor head inlet and retain it in place, plus the spout and front plate parts of the standard black plastic I.O.M. sampler and an additional 'O' ring to seal the spout to the adaptor.



To use simply assemble the adapted I.O.M. in the sequence shown below and insert into the inlet hole in the Haz-Dust sensor head.

The SKC adapted I.O.M. can also be used to enable respirable sampling using the Haz-Dust monitor. This is achieved with the addition of a foam plug to the inlet of the adapted I.O.M. to make the respirable cut. Simply insert the foam plug into the I.O.M. spout inlet taking care not to overly compress the foam. Consult SKC Ltd for details of available foam plugs.

Note: Correct use of the I.O.M. inlet requires a flow rate of 2l/min. Refer to the Haz-Dust instructions for setting the flow.



SKC Limited, 11 Sunrise Park, Higher Shaftesbury Road, Blandford Forum, Dorset, DT11 8ST, **United Kingdom**

Phone: +44 (0) 1258 480188 Fax: +44 (0) 1258 480184 Email: info@skcltd.com Web: www.skcltd.com

